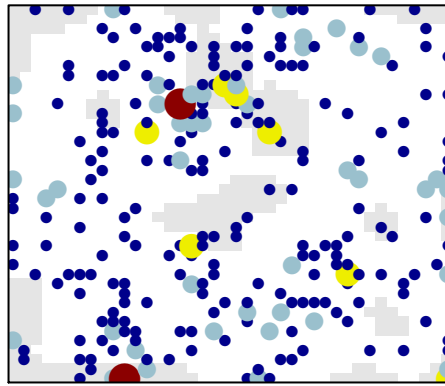
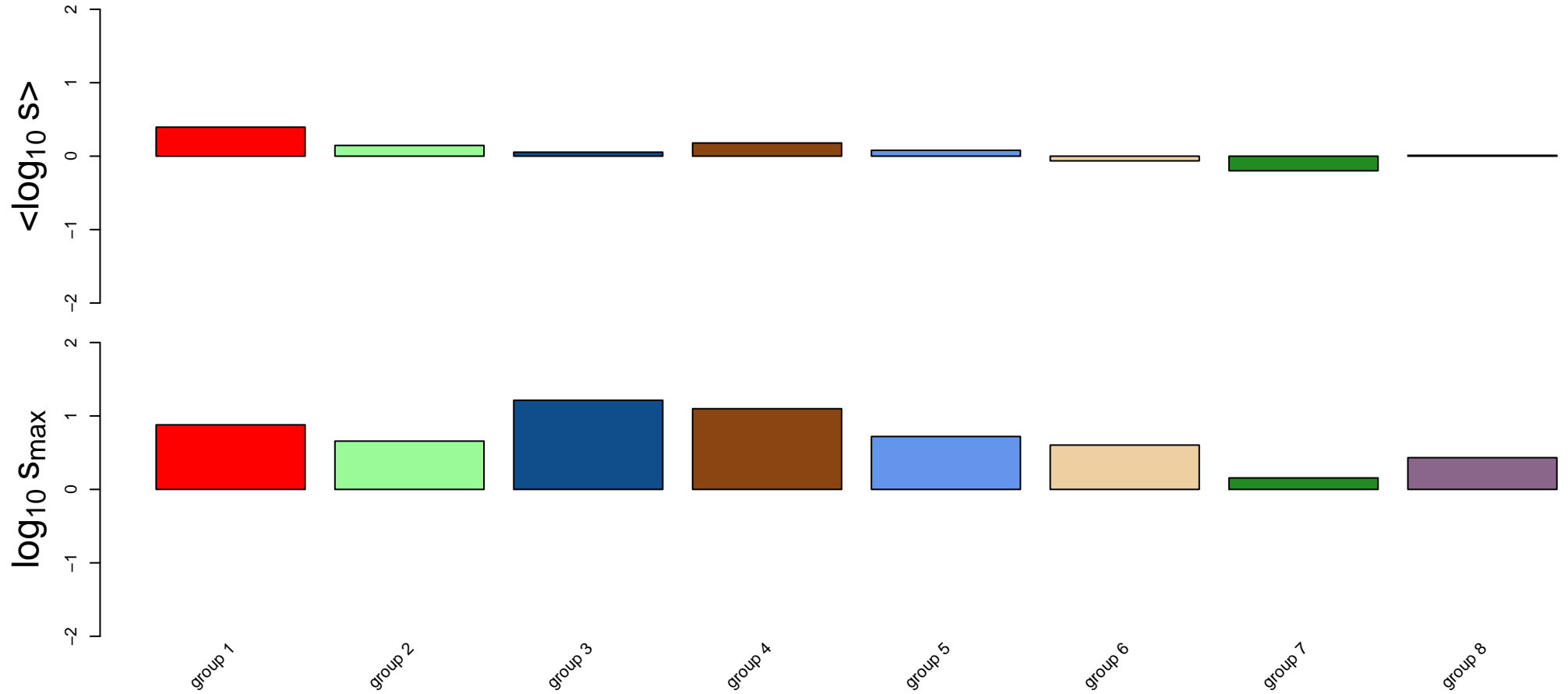
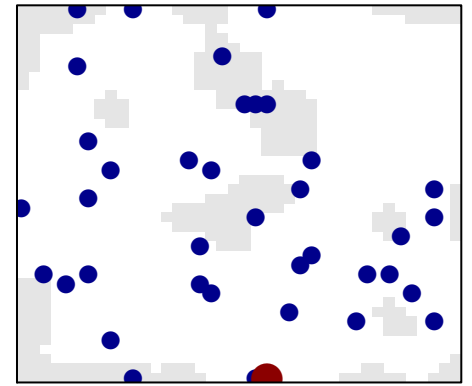


Necroptosis

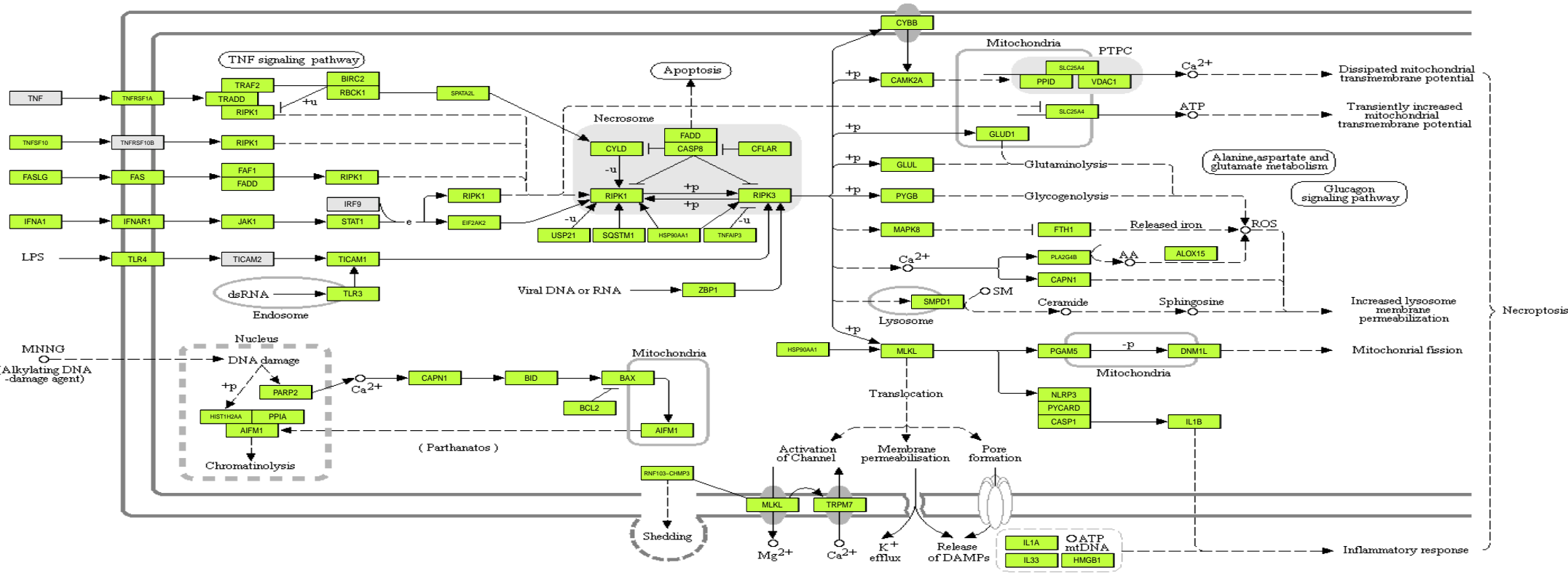
all genes



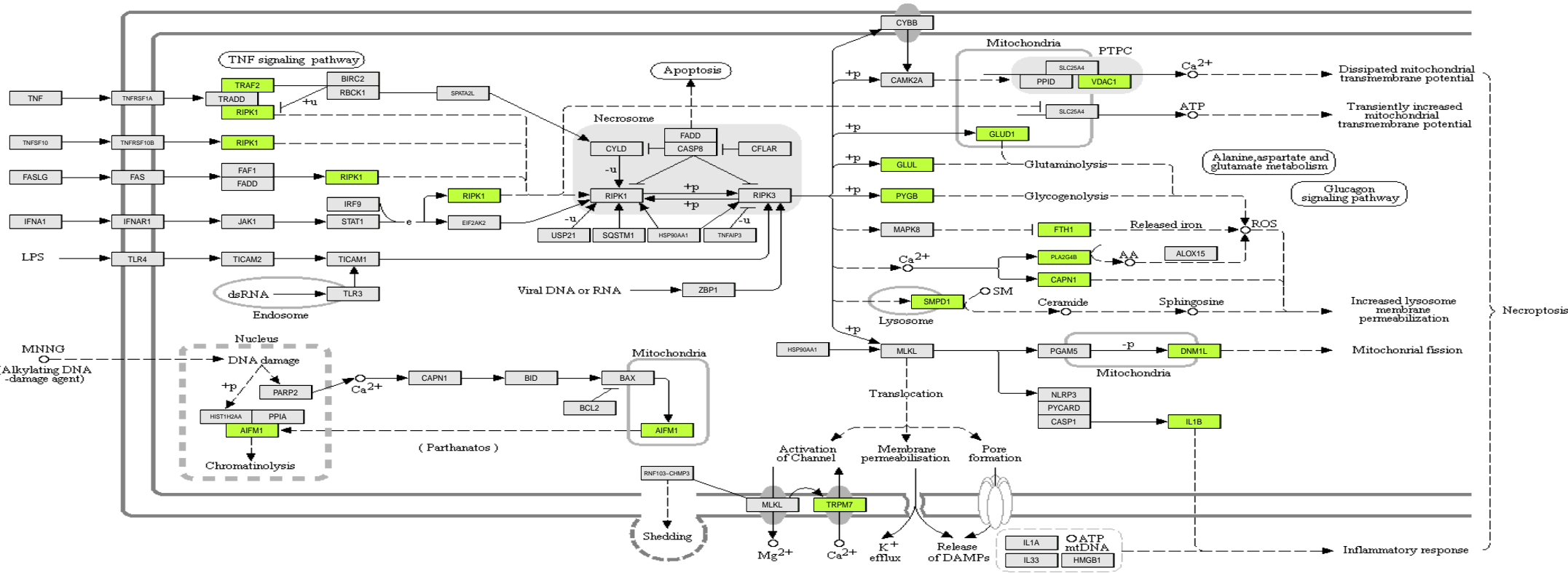
sink node genes



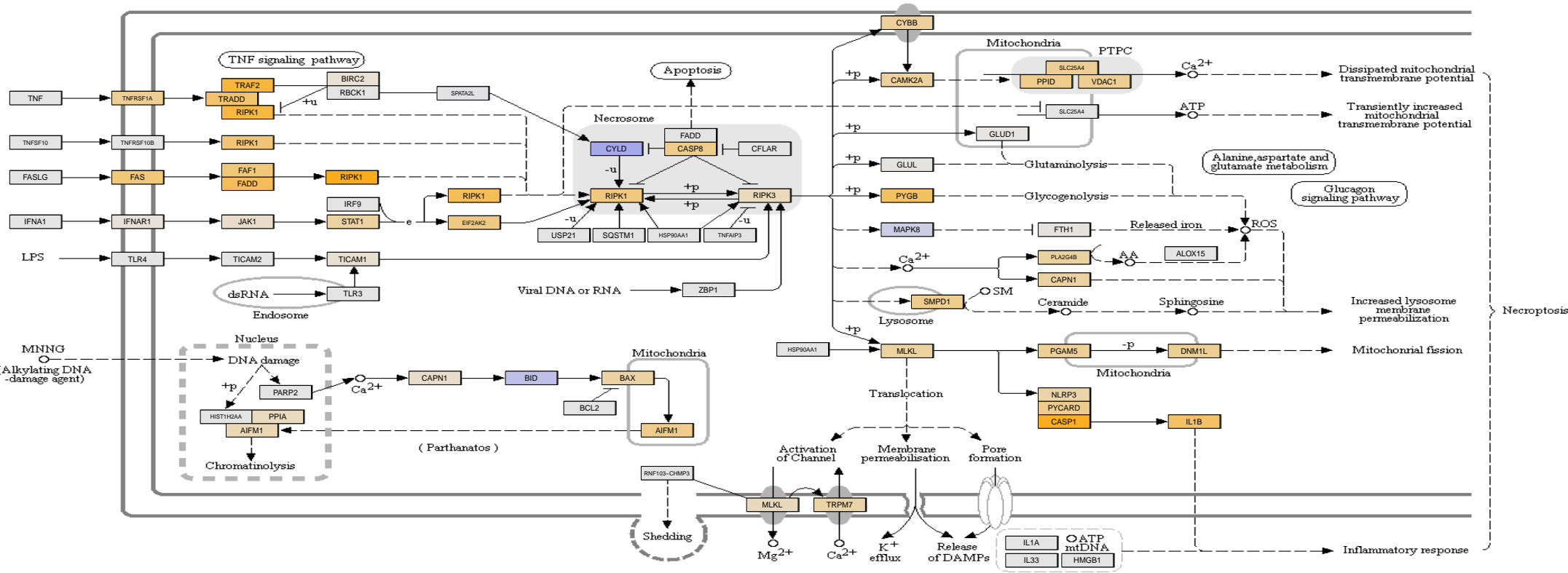
Necroptosis genes with data



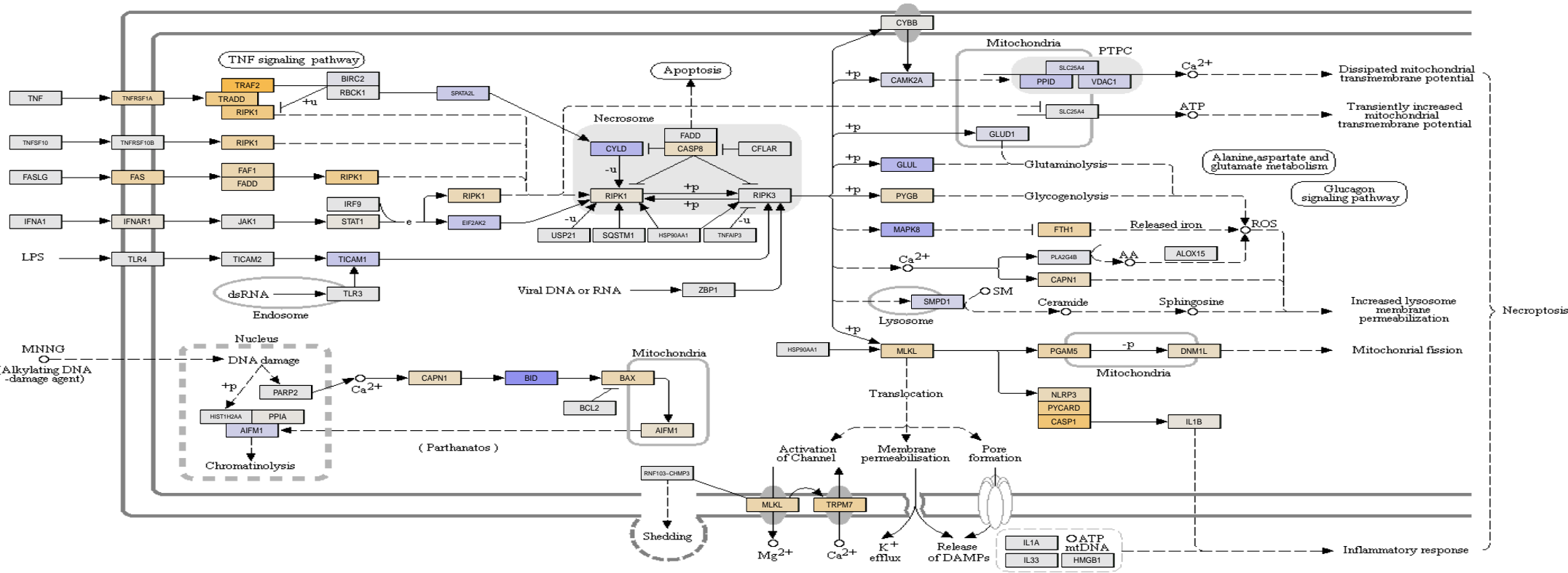
Necroptosis sink nodes



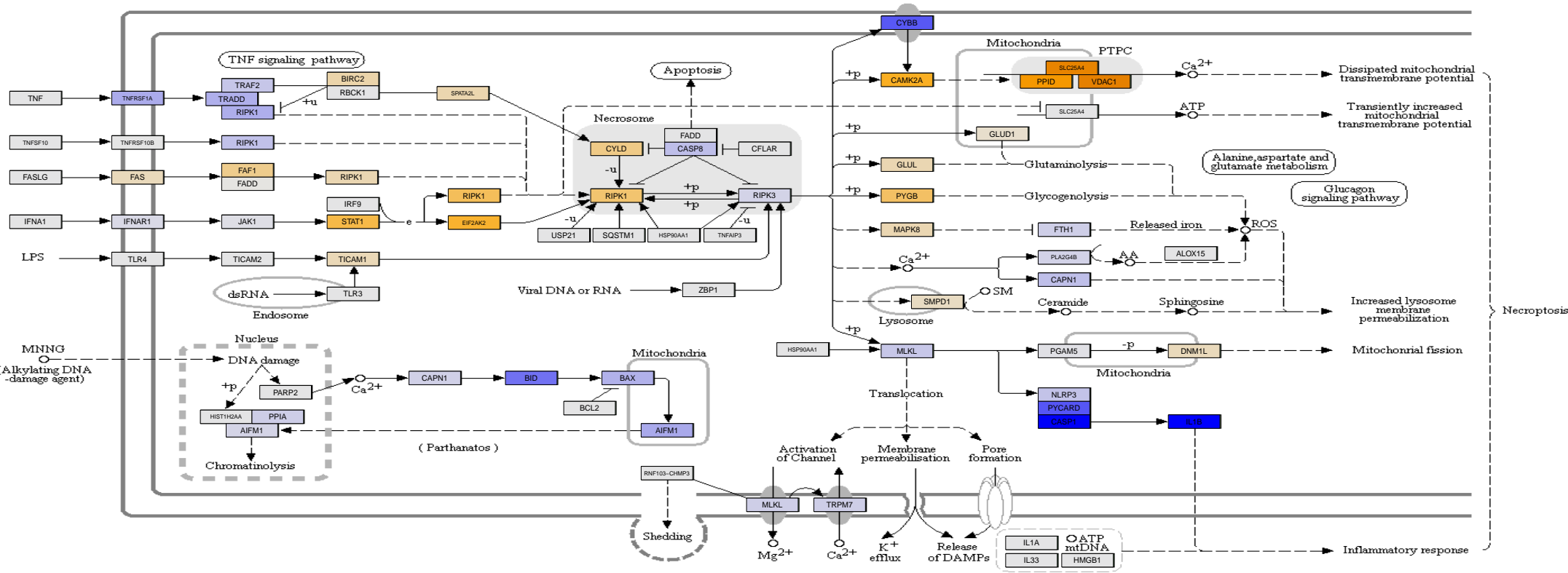
Necroptosis group 1



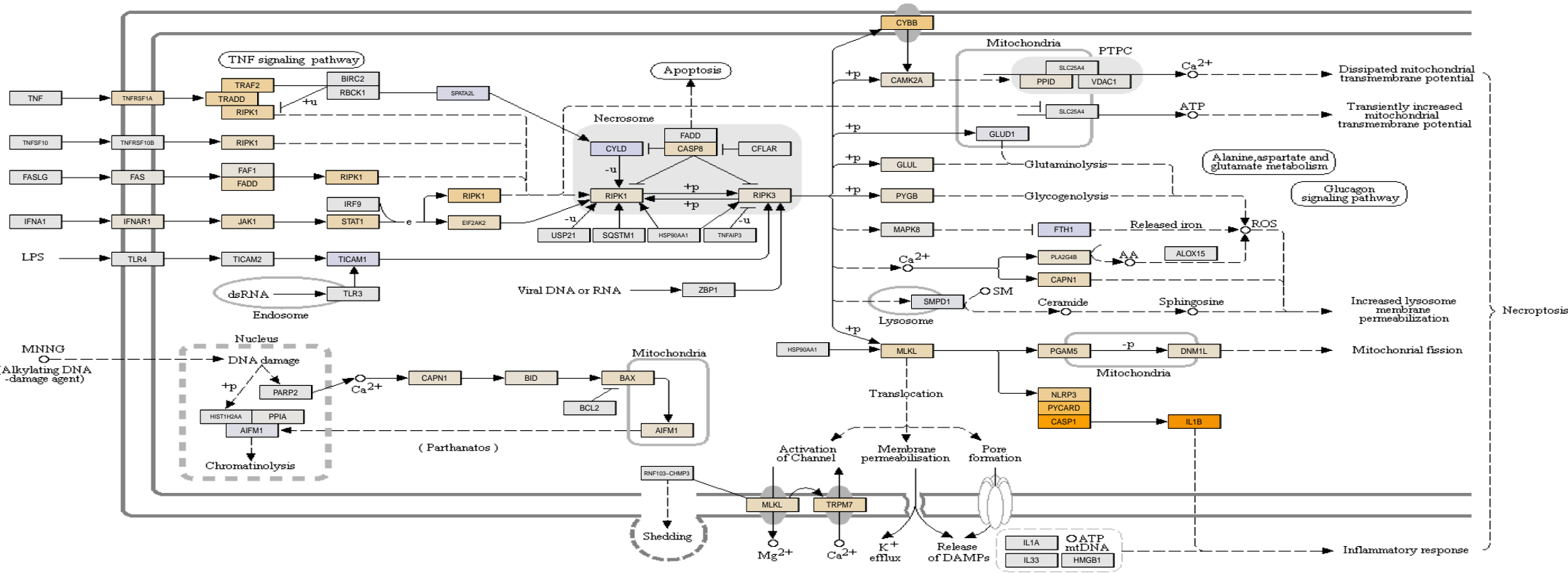
Necroptosis group 2



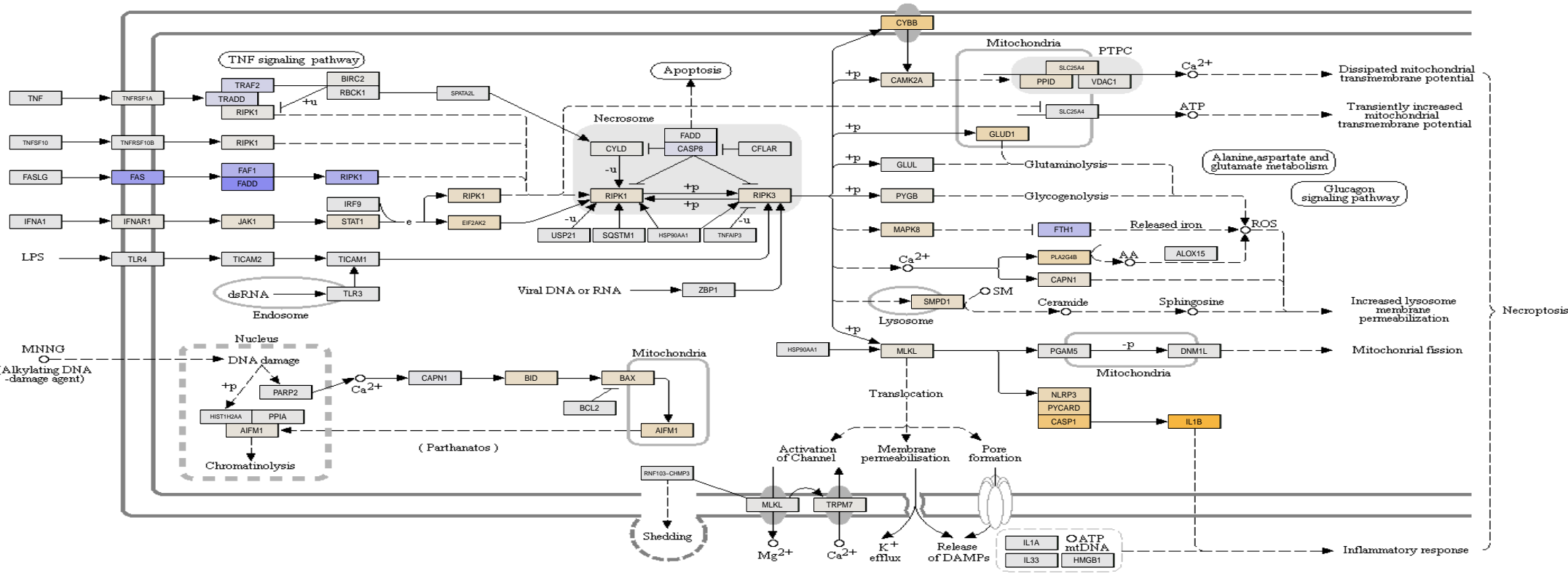
Necroptosis group 3



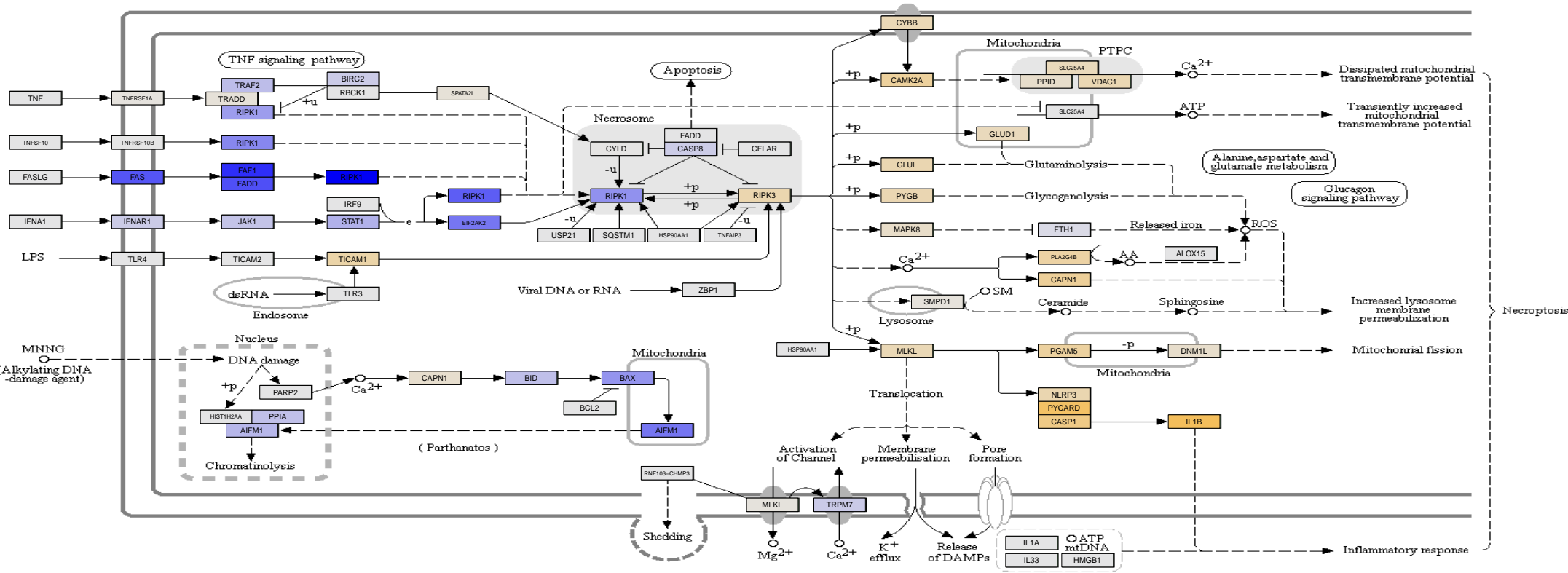
Necroptosis group 4



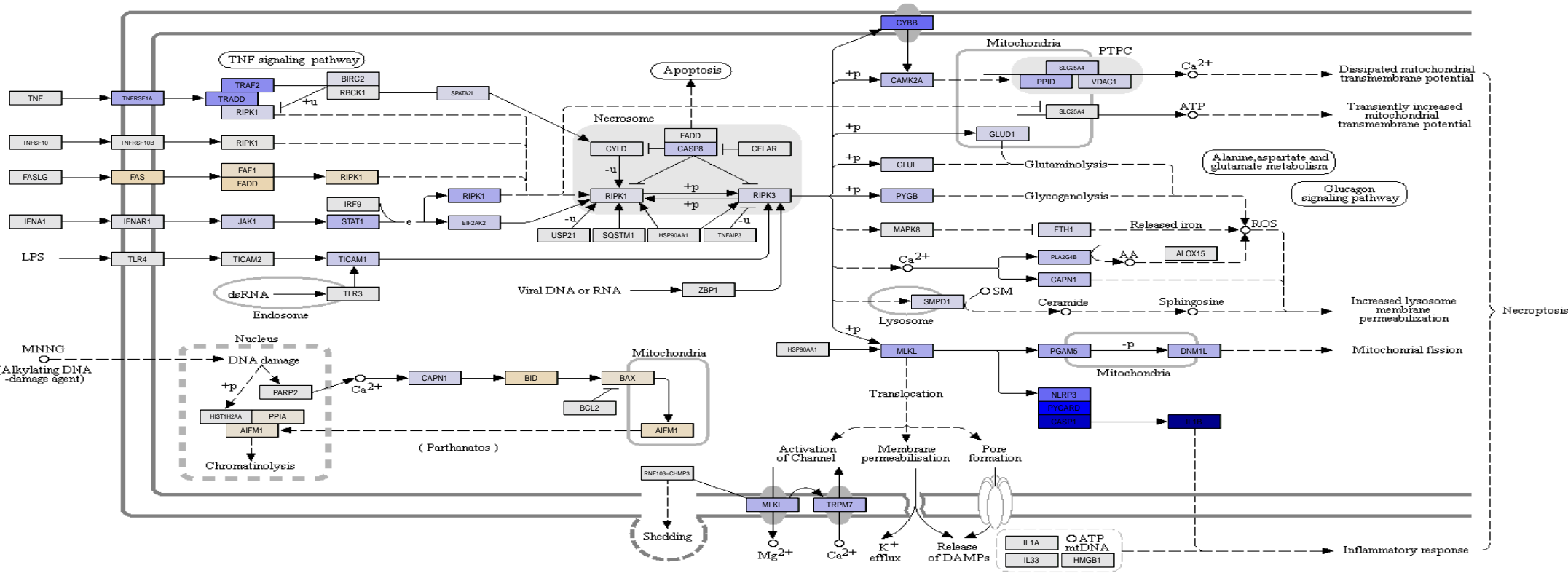
Necroptosis group 5



Necroptosis group 6



Necroptosis group 7



Necroptosis group 8

